

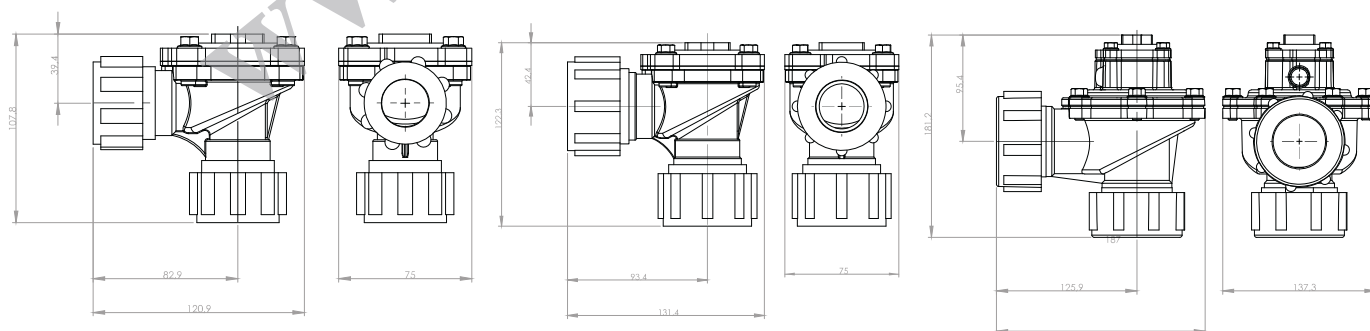
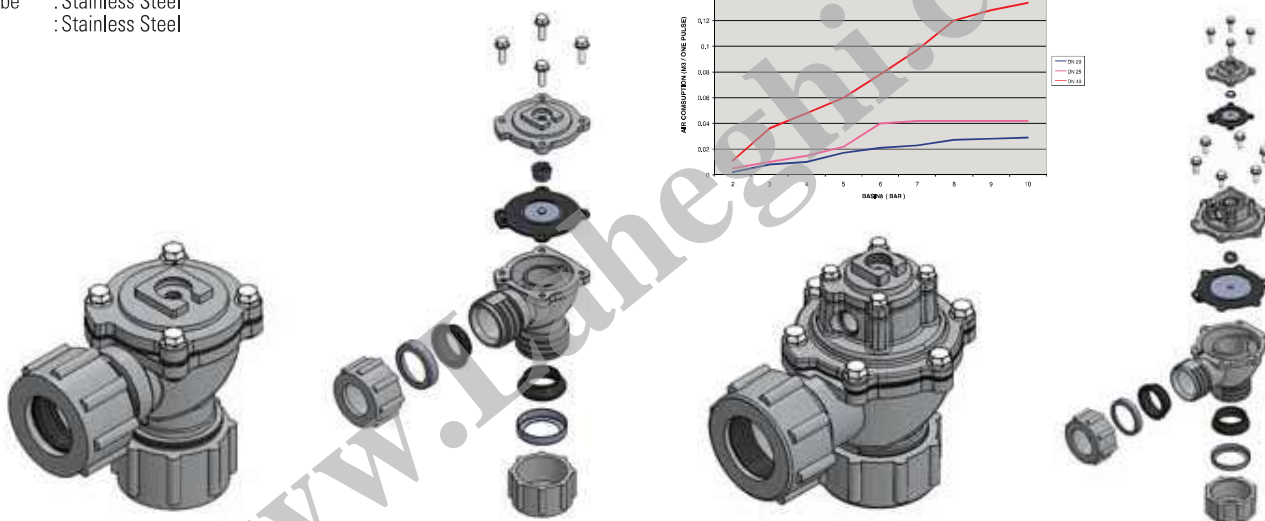
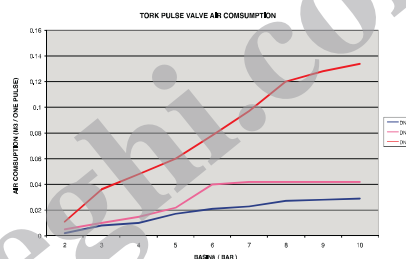
GENERAL FEATURES

- TORK series PL1050 remote control compression fittings pulse valves are 2/2 way normally closed.
- Suitable for air
- G 3/4" G 1", G 1 1/2" connection
- The pulse valves are especially designed for dust collector service application or similar systems
- Without coil compact design, high reliability, flow rate, quality and performance; long life.
- Extremely fast opening and closing
- Working Temperature: -20°C...80°C
- Minimum operating differential pressure 0,5 bar
- On request; with electronic timer
- Ambient Temperature: from -20°C...80°C
- Some application; dust filters, bunkers, dust extractors, electrostatic painting cabinets
- Coils interchangeable
- Flow factor Kv of each valve is indicated, so that the flow Q can be calculated as a function of pressure
- Pulse valves must be used with filtered fluids.
- Pulse valve can be mounted in any position without affecting operation; vertical with coil upwards preferred.



MATERIALS IN CONTACT WITH FLUIDS

- Body : Die Cast Aluminium
- Internal Parts : Stainless Steel and brass
- Sealing : NBR
- Shading Ring : Copper
- Seats : Aluminium
- Core Tube : Stainless Steel
- Springs : Stainless Steel



| Valve Type / Order no | Connection Size | Orifice size | Pressure | | KV | Fluid Temperature | | Seal | Weight |
|-----------------------|-----------------|--------------|------------|------------|---------------|-------------------|-----|------|-------------|
| | | | min | max | | min | max | | |
| PL1050 | G | mm | bar | bar | lt/min | °C | | | (kg) |
| PL1050.04 | 3/4" -3/4" | 20 | 0,5 | 8 | 150 | -20 | 80 | NBR | 0.55 |
| PL1050.05 | 1" -1" | 25 | 0,5 | 8 | 270 | -20 | 80 | NBR | 0.86 |
| PL1050.07 | 1 1/2" - 1 1/2" | 44 | 0,5 | 8 | 774 | -20 | 80 | NBR | 1.67 |